

# DALTON DLV CT

Interior Lighting / Downlight



DAVISLIGHTING

## Features

- Low profile recessed downlight
- Wide range of sizes and powers
- CCT selectable: 3000K, 4000, 5700K
- High-performance 50,000 hr system
- Remote dimmable LED driver (leading / trailing edge)
- CRI  $\geq 80$
- Die-cast aluminum housing
- Quick and easy installation
- IC-4 compliant (7W and 10W models only)
- IP44 below ceiling, IP20 above



## Applications

- Retail shops
- Bars, restaurants
- Galleries, display areas
- Apartment complex
- Residential

## Standards

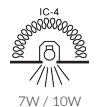
- Manufactured under ISO 9001:2015 to standards
- IEC/AS/NZS 60598.1
- IEC/AS/NZS 60598.2.1
- IEC/AS/NZS 60598.2.2
- IEC/AS/NZS CISPR 15



## Mounting



Recessed



# DALTON DLV CT

Interior Lighting / Downlight



DAVISLIGHTING

## Product Code Key

Model	Dimension	Power	Colour Temp.	-	Dimming
DLV	3 = Ø105 x 45	07 = 7W 10 = 10W	CT = CCT Selectable (3000K / 4000K / 5700K)		D03 = Triac
	4 = Ø130 x 45	15 = 15W			
	5 = Ø165 x 56	20 = 20W			
	6 = Ø195 x 60	25 = 25W			
	8 = Ø225 x 59	30 = 30W 35 = 35W 40 = 40W			

e.g. DLV415CT-D03 = DLV series, Ø130 x 45, 15W, CCT Selectable (3000K / 4000K / 5700K), Triac dimming

## Specifications

Model	DLV307CT-Dx	DLV310CT-Dx	DLV415CT-Dx	DLV520CT-Dx	DLV625CT-Dx	DLV830CT-Dx	DLV835CT-Dx	DLV840CT-Dx
Input Voltage (V)	220-240							
Nominal Power (W)	7	10	15	20	25	30	35	40
Power Factor	>0.9							
Luminaire Flux (lm)	700	1000	1500	2000	2500	3000	3500	4000
Luminaire Efficacy (lm/W)	100							
Selectable CCT (K)	3000/4000/5700							
SDCM	<5							
Luminaire Rated Life (hr)	>50000							
Operating Temp. (°C)	-20 to 40							
IP Rating	IP20 (IP44 below ceiling)							
Trim Colour	White							
Beam Angle (°)	100° (90° only applicable for 7&10W)							
Weight (kg)	0.345		0.42	0.525	0.6		0.765	

"x" denotes Dimming, D03 = Triac

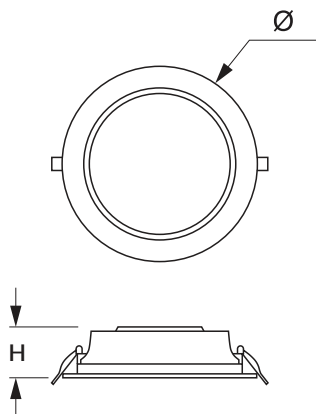
# DALTON DLV CT

Interior Lighting / Downlight



DAVISLIGHTING

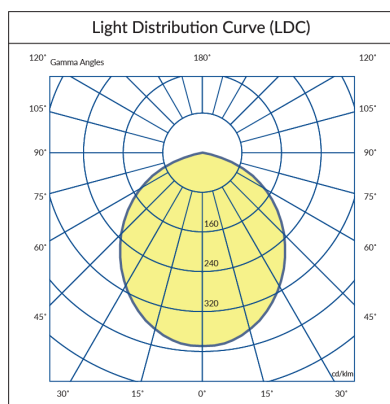
## Dimensions (mm)



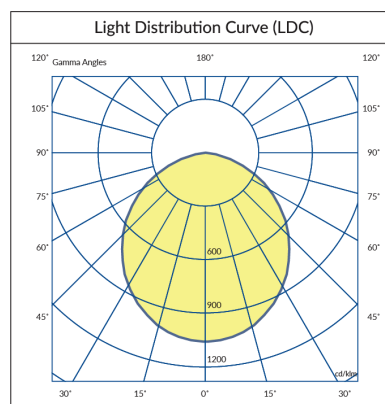
Model	Diameter (Ø)	Length (H) (mm)	Cutout (mm)
DLV307CT	105	45	90
DLV310CT	105	45	90
DLV415CT	130	45	110
DLV520CT	165	56	145
DLV625CT	195	60	175
DLV830CT	225	59	200
DLV835CT	225	59	200
DLV840CT	225	59	200

## Lighting Data

DLV310CT-D03



DLV835CT-D03



**SHOWROOM:**

670 Florentino Torres Street, Sta. Cruz, Manila  
T: +(632) 8733 8351 to 52 | M: +(63) 915 6024856

**HEAD OFFICE:**

2/F Le Mar Ben II Building 747 San Bernardo Street, Sta. Cruz, Manila  
T: +(632) 8733 8353 to 56 | M: +(63) 917 55-CENIT [23648]